

TFT LCD MONITOR

Appearance and Function



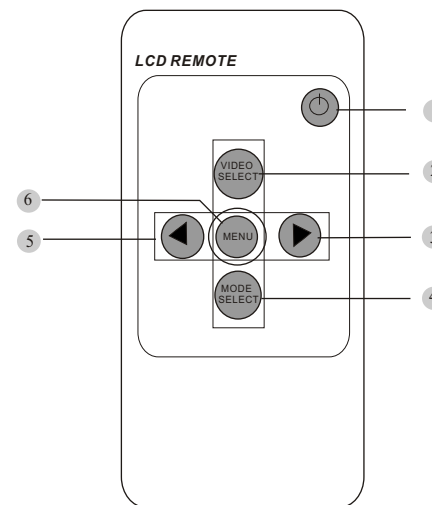
Function parameter

Screen dimensions:12.2 inch
Resolution:1024(W)XRGBX310(H)
System:PAL/NTSC
Power:DC 12V
Consumption:12W
Video:two way video input
Rear watching:Blue screen appears when no signal input
nine display mode
Operate mode:the key operation and remote control
External dimensions:165(W)X396(H)X24.5(D) (mm)
Weight:around 1.2kg

TFT LCD MONITOR

Function of remote control

Refer to the diagram of cover



Introduction of function keys

1. Switch for power supply.
2. V1/V2 selecting
3. Increase button
4. Selecting nine display mode
5. Reduces button.
6. Menu (brightness,colors,contrast)button